



TRANSAS M-3 AIS **TRANSPONDER** **CLASS A**

**COMPLETE SOLUTION FOR
DEESEA AND INLAND
WATERWAYS**

TRANSAS M-3 AIS TRANSPONDER CLASS A

ONE UNIT WORKS FOR ALL

Transas M-3 AIS Transponder is a complete Class-A AIS product fully IMO-compliant for SOLAS vessels and compliant with relevant EC-regulations for River Information System (RIS) and vessels operating on Inland Waterways.

Well-proven technology ensures reliability and quality and was selected by number of leading commercial shipping and naval customers worldwide.

Key features and benefits

- Standard AIS functionality
- High quality, low maintenance "one unit" AIS Transponder with built in Minimum Keyboard Display (MKD)
- Long range tracking capabilities
- Display of AIS messages from aids to navigation (ATON)
- Safety Related Messages (SRM) and Short Message Service support
- Pilot plug integrated in display unit
- Three modes of operation:
 - autonomous and continuous mode for operation in all the regions
 - assigned mode for operation in an area subject to a competent authority
 - a polling or control mode where the data transfer occurs on response to interrogation of vessels or competent authorities
- Integration with external (D)GPS receiver, gyro compass, speed log, ECDIS/ECS and radars
- Input and output communication ports for integrated bridge systems
- Channel management capability (regional AIS frequencies)
- Easy upgrade
- 1W output power option for hazardous cargo handling
- AIS Class B "carrier sense" messages support
- Bracket or flush mounting



Capabilities of ship borne AIS Equipment

- Transas M-3 AIS automatically provides the following information to appropriately equipped shore stations, other ships and aircraft and receives it automatically from similarly equipped ships:
 - static data (IMO number, call sign and name, length and beam, type of ship, location of position fixed antenna onboard the ship)
 - dynamic data (ship position with accuracy and integrity status, UTC time, course over ground (COG), speed over ground (SOG), heading, navigational status, RAIM, rate-of-turn (ROT))
 - voyage related data (ship's draught, hazardous cargo type, destination and estimated time of arrival (ETA))
 - safety related messages
 - international functional messages (meteorological and hydrological data, dangerous cargo indication, fairway closed, tidal window, extended ship static and voyage related data, number of persons onboard, pseudo-AIS targets)
- Transas M-3 AIS monitors and tracks ships
- Transas M-3 AIS exchanges data with shore-based facilities

Advanced Functionality

Developed by the world-leading manufacturer of marine software and equipment, Transas M-3 AIS Transponder brings additional benefits to its users, when interfaced with other high-tech Transas products.

Interfaced with Transas Navi-Sailor ECDIS / ECS it provides the following capabilities:

- Display of AIS targets on the screen
- Full target information
- Sending and receiving messages and target information
- Fast search of targets by name, IMO number, MMSI, and call sign; highlighting of the selected target on the electronic chart screen

Technical Characteristics

(Specifications subject to change without notice)

Physical

- Dimensions: 138 x 210 x 105 mm (D x W x H)
- Weight: 1.4 kg

Power

- Input: 12 to 24V DC
- Power Consumption for 12V: 900mA (4.7A peak)
- Power Consumption for 24V: 500mA (2.3A peak)

GPS Receiver (AIS Internal)

- IEC 61108-1 compliant

Connectors

- VHF Antenna connector - SO-239 (UHF)
- GPS Antenna connector - TNC
- RS232 – 9 way D type
- IEC61162 interfaces & alarm relay via 50 way D-type and optional junction box
- Power connector, four pin circular TBC
- NMEA2000 connector, five pin circular TBC

User interface

- 240 x 128 LED backlit LCD display
- Rotary encoder for selection and entry
- Two softkeys & two menu keys
- Alarm buzzer

Compliance

- IEC61993-2

IEC standard, Class A shipborne equipment

- IEC60945 Ed. 4.0 'Protected' category

IEC standard, environmental requirements

- ITU-RM.1371-3

Universal AIS Technical Characteristics

- IEC61162-1/2 Ed. 2.0

IEC standards, digital interfaces

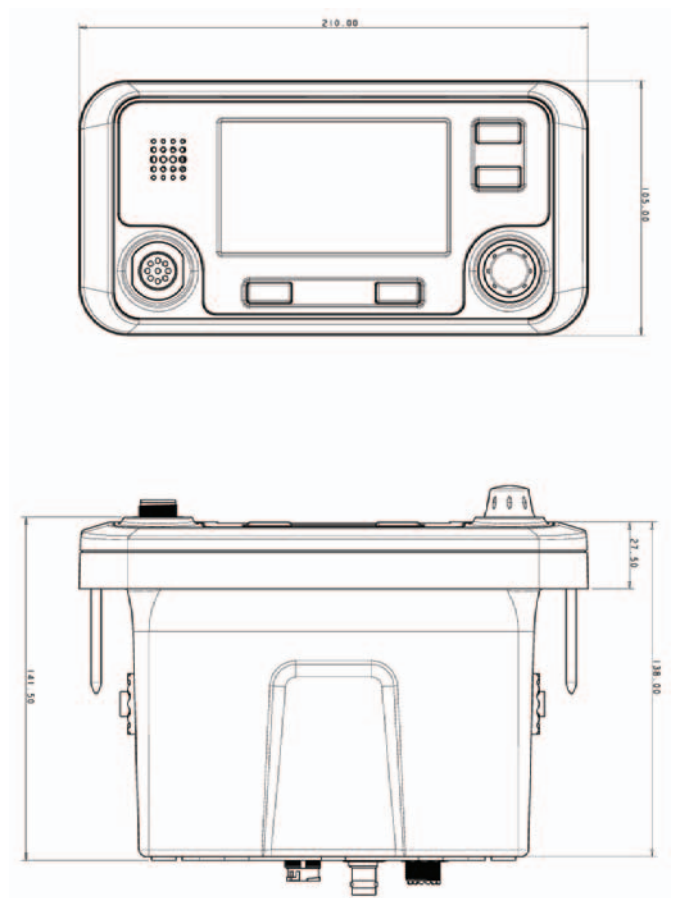
- IEC61108-1

IEC standard, GPS receiver equipment

- NMEA2000

Standard for marine networking

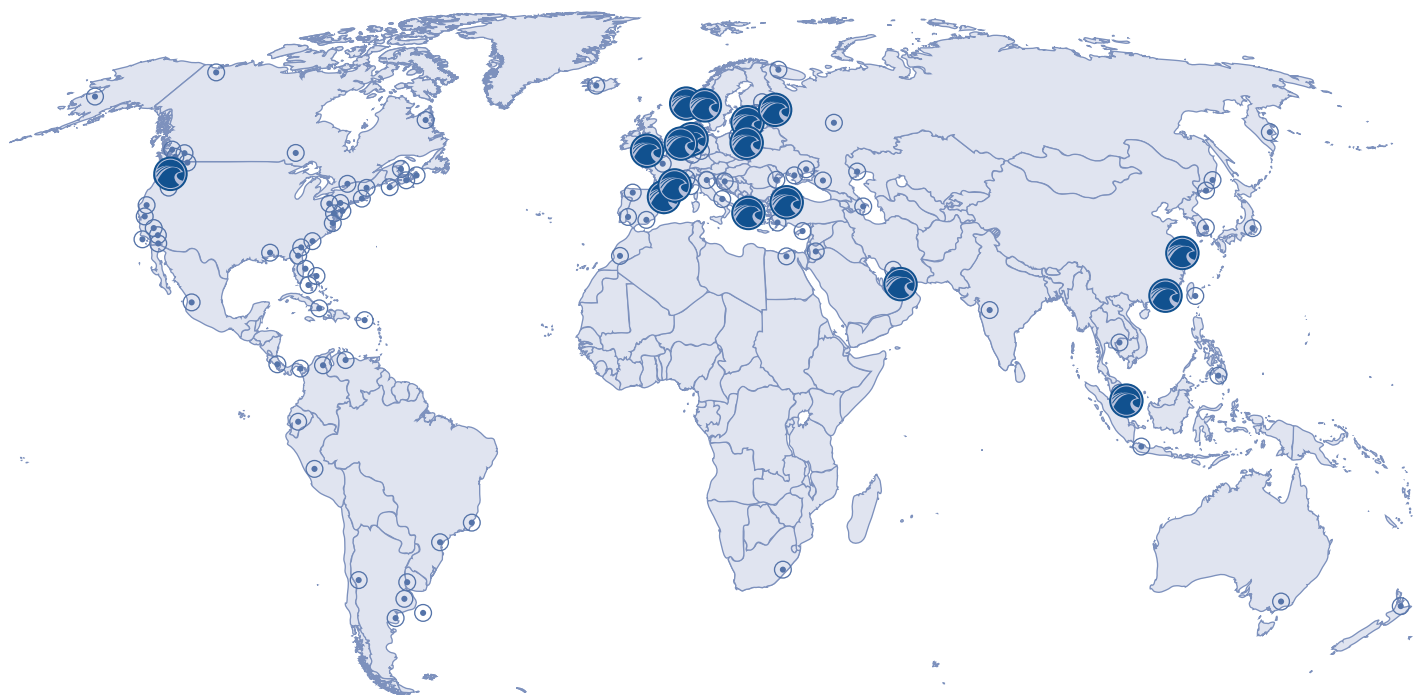
- CCNR Vessel tracking and tracing standard for Inland



Service and Support

Transas 24/7 Service Network is strategically spread worldwide to deliver fast and efficient maintenance, support, warranty and upgrade services. If you require a **quick AIS Class A delivery or service**, please contact Transas local office or our Service team at service@transas.com or +46 771 460 100

TRANSAS WORLDWIDE DISTRIBUTORS AND SERVICE NETWORK



TRANSAS MARINE INTERNATIONAL

tel.: +46 31 769 56 00
fax: +46 31 694 184
e-mail: info@transas.com
sales@transas.se

TRANSAS USA INC.

tel.: +1 425 486 2100
fax: +1 425 486 2112
e-mail: sales@transasusa.com

TRANSAS MARINE PACIFIC PTE LTD.

tel.: +65 627 10 200
fax: +65 627 17 300
e-mail: info.asia@transas.com

TRANSAS MARINE GMBH

tel.: +49 40 890 6660
fax: +49 40 881 1379
e-mail: info@transas.de

TRANSAS MEDITERRANEAN SAS

tel.: +33 4 89 86 4100
fax: +33 4 89 86 4129
e-mail: med-sales@transas.com

TRANSAS MARINE (UK) LTD.

tel.: +44 2392 674 000
fax: +44 2392 674 048
e-mail: tmuk.sales@transas.com

TRANSAS MIDDLE EAST

tel.: +97 14 324 1415
fax: +97 14 324 1550
e-mail: tme@transas.com

TRANSAS BENELUX

tel.: +31 10 428 5599
fax: +31 10 428 5590
e-mail: benelux@transas.com

TRANSAS CHINA

tel.: +86 21 3392 6750
fax: +86 21 3392 6790
e-mail: info.china@transas.com

TRANSAS HONG KONG LTD.

tel.: +852 281 516 03
fax: +852 281 516 90
e-mail: info@transas.com.hk

TRANSAS BLACK SEA

tel.: +90 216 337 0852
fax: +90 216 337 0852
e-mail: blacksea@transas.com

TRANSAS MARINE SPAIN

tel.: +34 93 424 5589
fax: +34 93 426 8678
e-mail: sales@transas-es.com

TRANSAS MARINE NORWAY

tel.: +47 91 70 5060
fax: +47 94 76 2319
e-mail: sales@transas.no

TRANSAS HELLAS LTD.

tel.: +30 210 899 5164
fax: +30 210 899 5218
e-mail: hellas@transas.com

TRANSAS MARINE POLAND

tel.: +48 58 774 7283
fax: +48 58 774 7283
e-mail: sales@transas.de

TRANSAS BALTIC SIA

tel.: +371 6 716 2100
fax: +371 6 716 2101
e-mail: baltic@transas.com

TRANSAS NAVIGATOR

tel.: +7 812 325 3131
fax: +7 812 325 3132
e-mail: trn@transas.com

WWW.TRANSASMARINE.COM

